

AED ROLLERS LTD

UNIT 7/2 HALAS IND. ESTATE, FORGE LANE, HALESOWEN
 WEST MIDLANDS. B62 8EB. TEL: 0121 602 5070 FAX 0121 602 5080

DRG No. SSRG-30 40 AX1 SERIES

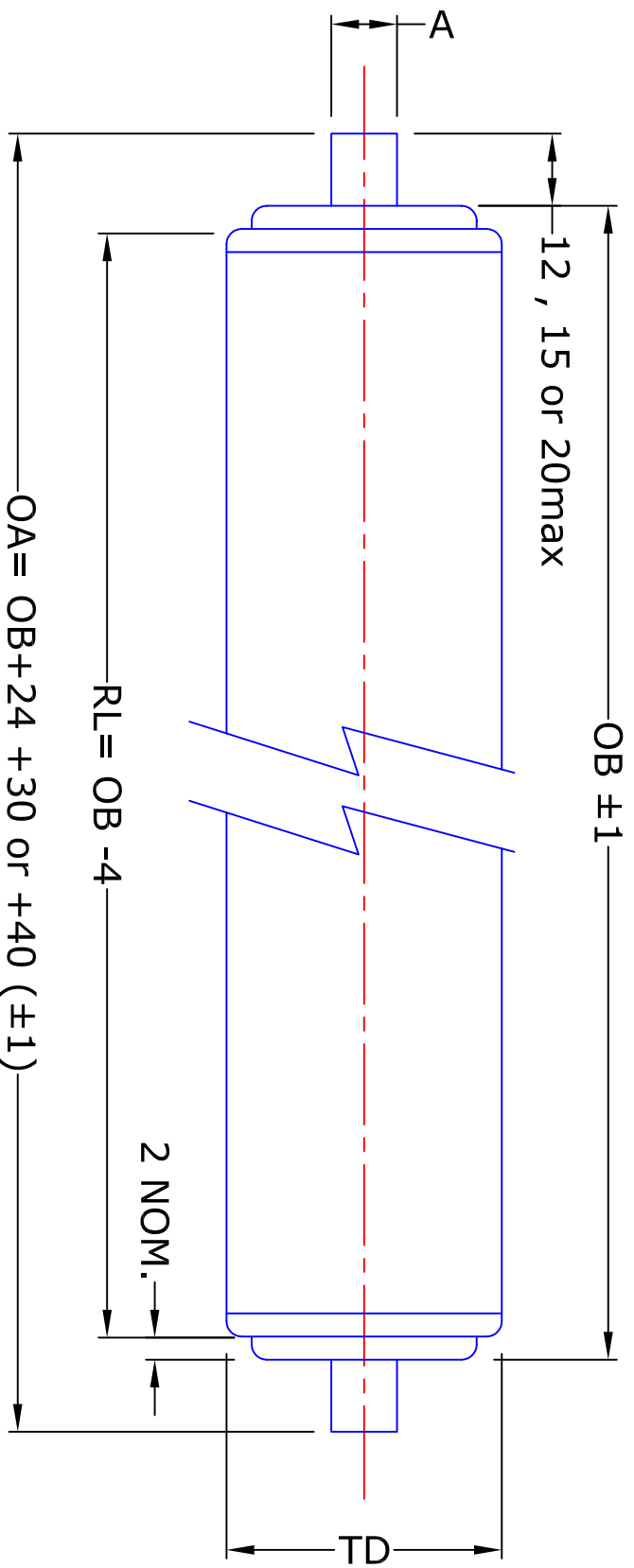
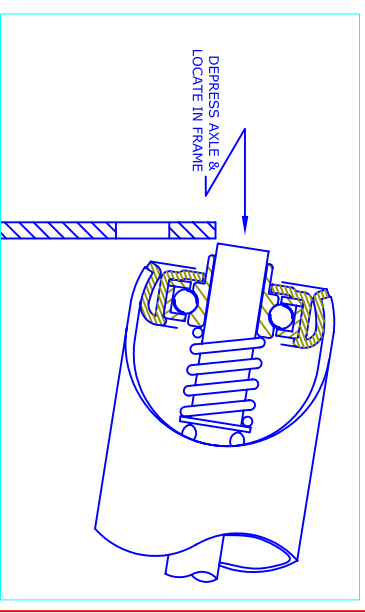
COPYRIGHT RESERVED

ISSUE

REVISION

DATE APPR'D

TD	AXLE (A) SIZES AVAILABLE
Ø30x1	Ø 6, 8 OR 10
Ø40x1.5	Ø 8 OR 10



FINISH	NATURAL
MATERIAL	304 SATINLESS
HEAT TREATMENT	---
LUBRICATION	---

DRAWN: P. BEVAN

DATE: 17.6.97

TITLE: FREE RUNNING STAINLESS ROLL

DRG No. SSRG-30 40 AX1 SERIES