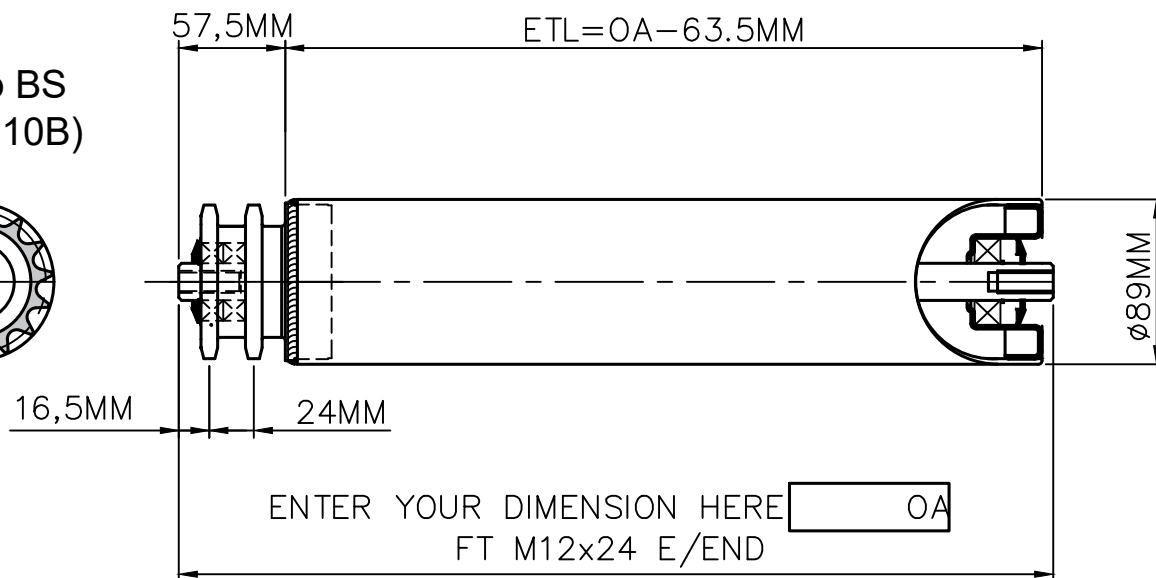
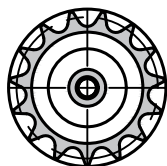
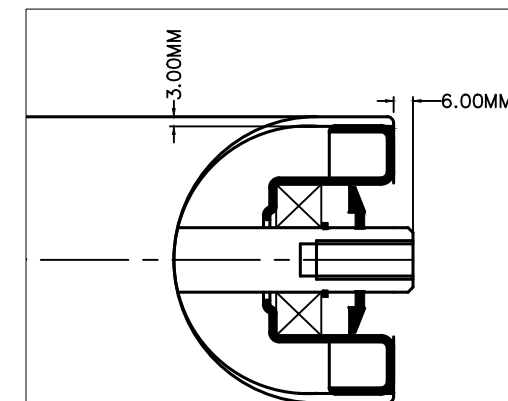
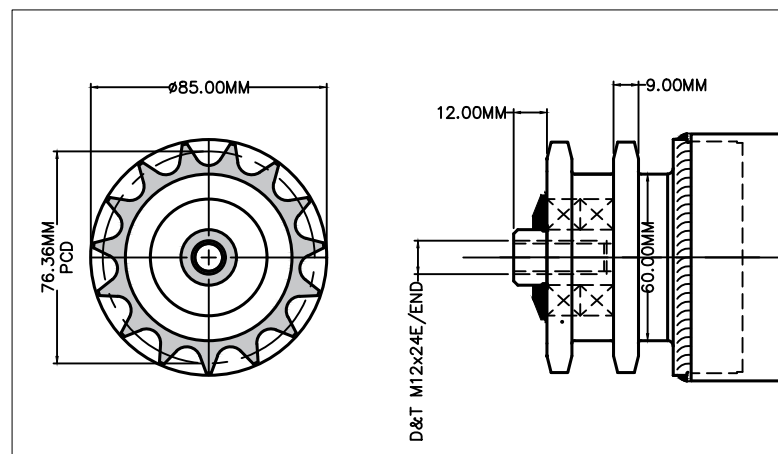


15t x5/8"p BS sprocket (10B)



CONV WIDTH / OA	LOAD CAPACITY
	UDL >75% OA
200+	-
750	-
900	-
1000	650
1100	560
1200	500
1300	340
1400	230
1500	230
1600	155



FINISH	BZP
MATERIAL	MILD STEEL
HEAT TREATMENT	AS BRGS SUPPLIED
LUBRICATION	" " "