

BS Sleeved Rollers - Spring Loaded - for manual handling – BS Sleeve

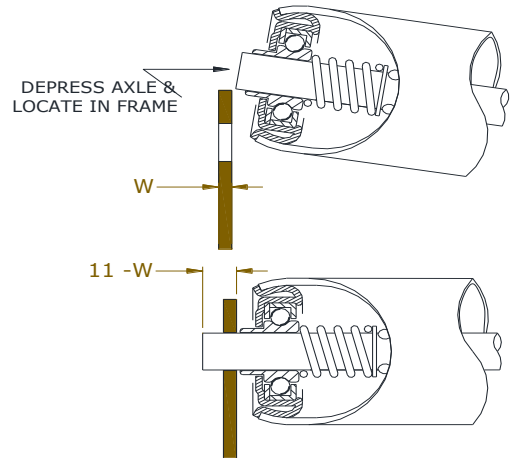
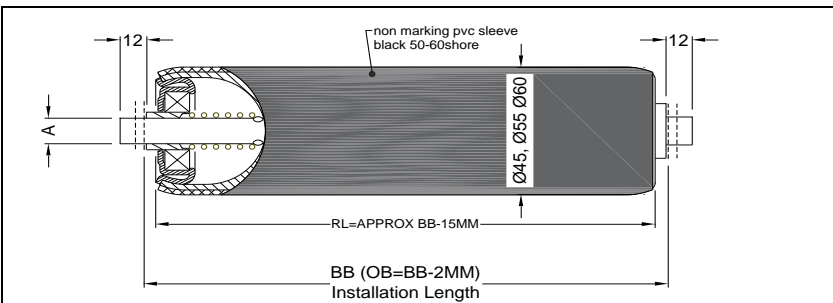


BS45, BS54 & BS60 general purpose steel rollers with pvc 3mm or 5mm thick rubber like sleeve for manual & gravity applications

Found in >	MATERIAL	Sleeve Options	Great for
Battery Handling	Steel Base Roller + pvc sleeve	- BS45 (45mm FOD) -BS54 (55mm FOD) -BS60 (60mm FOD)	Lowering noise
Despatch Areas			Non-Marking
Airports			Stone/granite tops
Packing Lines			Cheaper than rubber

Roller Type	BRG TYPE	Finished Diameter	Axle A (default)	Other axles A sizes available	Minimum Length Maximum Length	Load Capacity†
RG4010 AX1 –BS45	OILED	Ø45mm	Ø10	Ø8, 12 & 11Hex	>200MM <1200MM	80kgF UDL
PR40KTR12 AX1 –BS45	GREASED	Ø45mm	Ø12	Ø8, 10 & 11Hex	>200MM <1200MM	80kgF UDL
RG5010 AX1 –BS54	OILED	Ø55mm	Ø10	Ø8, 12 & 11Hex	>200MM <1200MM	80kgF UDL
RG5010 AX1 –BS60	OILED	Ø60mm	Ø10	Ø8, 12 & 11Hex	>200MM <860MM	80kgF UDL
PR5012 AX1 –BS54	GREASED	Ø55mm	Ø12	Ø10 or 11Hex	>200MM <1200MM	140kgF UDL
PR5012 AX1 –BS60	GREASED	Ø60mm	Ø12	Ø10 or 11Hex	>200MM <860MM	140kgF UDL
PR50HD12 AX1 –BS54	GREASED	Ø55mm	Ø12	11Hex	>200MM <1200MM	200kgF UDL
PR50HD12 AX1 –BS60	GREASED	Ø60mm	Ø12	11Hex	>200MM <860MM	200kgF UDL

IMPORTANT:†Load Capacity calculated on based roller (not Sleeve capacity) and on roller lengths <700MM. For lengths greater than 800mm **Please ask**



Roller Type (ie RG5010AX1-BS54)	
Installation Length (BB)	
Axle diameter	
Quantity Required	
Special Requests:	

ORDERING CODE EXAMPLE: **PR 50 11H AX1 - BS60 610BB**

Roller Type ; **Axle Size** | **Sleeve Diameter** ; **BB (Installation Length)**

Company Name and address:-

Signed.....Print.....

Date: Purchase order No.....

Collect or Send by Carrier – circle as appropriate

Comments:

Please sign & return Order