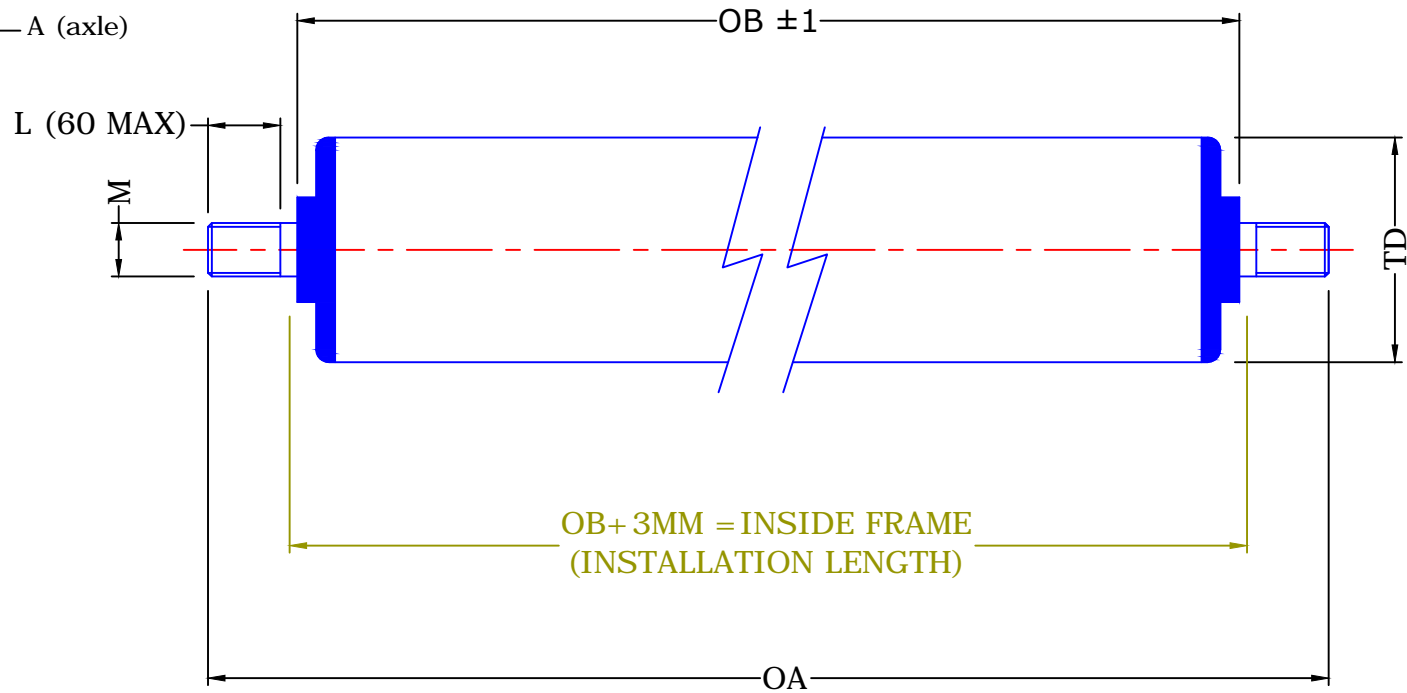
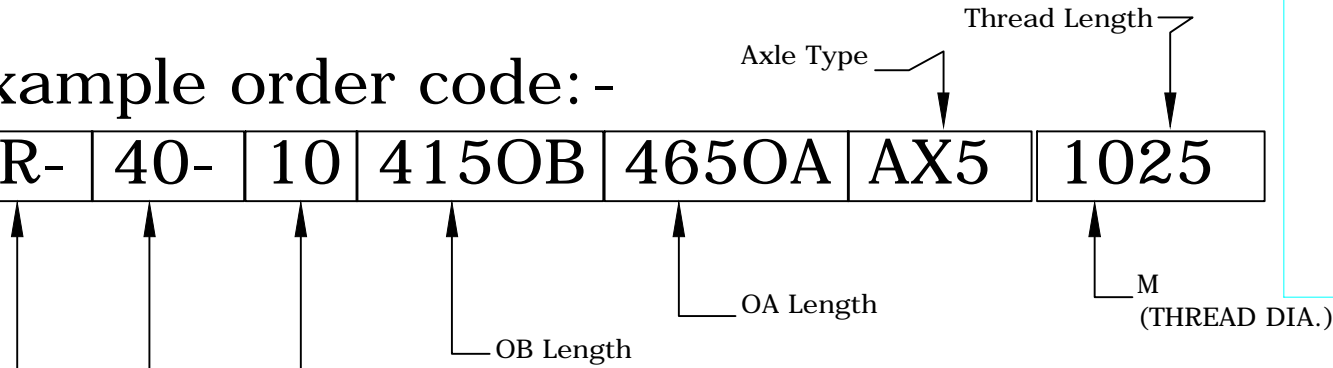
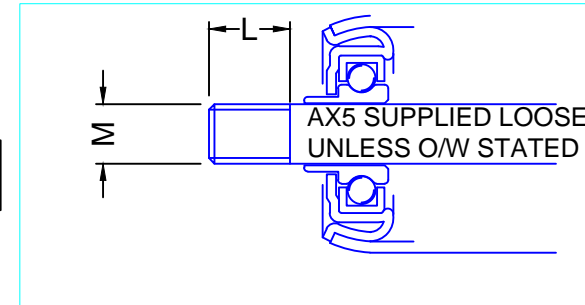


Example order code: -

PR- 40- 10 415OB 465OA AX5 1025



FINISH	AS CATALOGUE
MATERIAL	AS CATALOGUE
HEAT TREATMENT	AS PER BRGS SUPPLIED
LUBRICATION	AS PER BRGS SUPPLIED