

SSRG AX8 Series (Female Thread) Bolt-in rollers for manual handling – **Stainless**



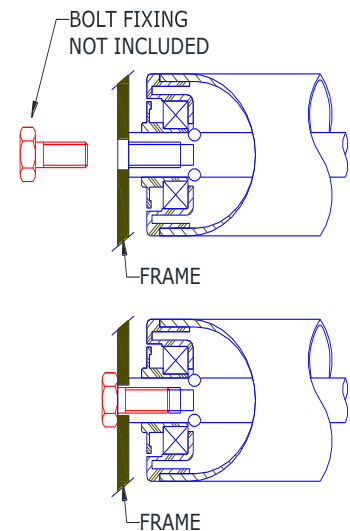
SSRG series rollers are general purpose stainless rollers with free rolling all weather bearings

Found in >	MATERIAL	EXTRAS
Battery/Chemical	Stainless Steel Grade 303/304	BZP Axles
Manual Conveyors		--
Airport Security		316 Stainless
Warehouse packing lines		

Roller Type	Roller Diameter & Wall Thickness	Female Thread available	Axle code Is followed by thread	Bearing Type Plastic free rolling	Load Capacity†
SSRG-30	Ø30 x2.0	M5x10 (AX85) M6x12 (AX86)	AX85 / AX86	KTR30x2	8kgF udl <750
SSPR-35	Ø35 x1.2	M5x10 /M6x12 / M8x16	AX86 / AX88	PR35-8H+S6001	45kgF udl <750
SSRG-40	Ø40 x1.5	M5x10 /M6x12 / M8x16	AX85/AX86/AX88	KTR40x1.5	12kgF udl <750
SSRG-50	Ø50 x1.5	M5x10 /M6x12 / M8x16	AX85/AX86/AX88	KTR50x1.5	25kgF udl <1000
SSRG50+BS60	Ø60 SLEEVE - BLACK	M5x10 /M6x12 / M8x16	AX85/AX86/AX88	KTR50x1.5	25kgF udl <1000

† Load Capacity calculated on standard lengths in MM. Please ask to confirm advisable load capacity on quotation/order

Roller Type (ie SSRG50)	
Installation Width (BB)	BB
Special material 316 Stainless	Yes / No
Female Thread size M5 M6 M8	
Quantity Required	
OB (over bearing boss*)	*
OA (over all axle length*) or L	*
*leave OB & OA blank if rollers are to suit installation width (BB)	



Company Name and address:-

Signed.....Print.....

Date:

Purchase order No.:

Collect or AED to despatch – circle as appropriate

Please sign & return Order