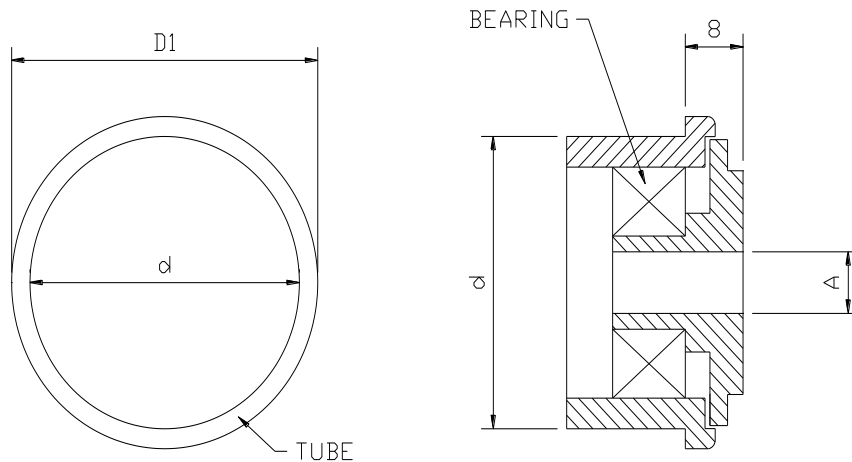


KTR-EBH50 PLASTIC END BEARINGS – 50x2.8 TUBE & 50x1.5 TUBE



Product code	D1	d	A	Bearing	Tube	Qty	Price*
KTR-EBH50-45-10	50	44.4	10	STEEL 6202	Ø50x2.8		£2.00
KTR-EBH50-45-10S	50	44.4	10	STAINLESS 6202	Ø50x2.8		£3.50
KTR-EBH50-45-11H	50	44.4	11HEX	STEEL 6202	Ø50x2.8		£2.00
KTR-EBH50-45-11HS	50	44.4	11HEX	STAINLESS 6202	Ø50x2.8		£3.50
KTR-EBH50-45-12	50	44.4	12	STEEL 6202	Ø50x2.8		£2.00
KTR-EBH50-45-12S	50	44.4	12	STAINLESS 6202	Ø50x2.8		£3.50
KTR-EBH50-45-14	50	44.4	14	STEEL 6202	Ø50x2.8		£2.00
KTR-EBH50-45-14S	50	44.4	14	STAINLESS 6202	Ø50x2.8		£3.50
KTR-EBH50-47-10	50	47	10	STEEL 6202	Ø50x1.5		£2.00
KTR-EBH50-47-10S	50	47	10	STAINLESS 6202	Ø50x1.5		£3.50
KTR-EBH50-47-11H	50	47	11HEX	STEEL 6202	Ø50x1.5		£2.00
KTR-EBH50-47-11HS	50	47	11HEX	STAINLESS 6202	Ø50x1.5		£3.50
KTR-EBH50-47-12	50	47	12	STEEL 6202	Ø50x1.5		£2.00
KTR-EBH50-47-12S	50	47	12	STAINLESS 6202	Ø50x1.5		£3.50
KTR-EBH50-47-14	50	47	14	STEEL 6202	Ø50x1.5		£2.00
KTR-EBH50-47-14S	50	47	14	STAINLESS 6202	Ø50x1.5		£3.50

*price each net. and excludes VAT and carriage. Min. order qty 10. AED reserves the right to change the above without prior notice. AED reserves the right to decline to supply. AED reserves the right to apply 15% handling charge for any goods returned.

Please sign & return Order

Company Name and address:-

Signed.....Print.....

Date:

Purchase order No.:

Collect or AED to despatch – circle as appropriate

Comments: