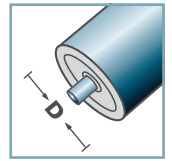
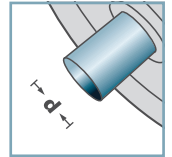


KTR-16.00
KTR-16.01



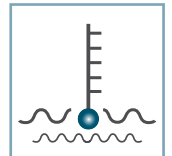
D [mm]
16



d [mm]
5; 6



C [daN]
3



T [°C]
0° - 80°



KTR-16.00/.01

Type	Normal .00	Stainless .01	Di +0,15	Da	Load Rating C [daN]
KTR-16x1,0	x	x	14,1	15,9	3

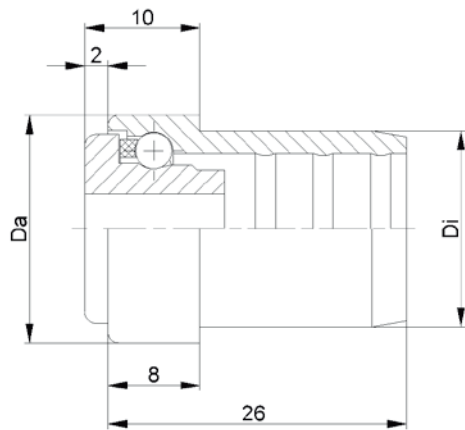
Other dimensions on request!

- ☛ Housing: Plastic
- ☛ Inner Race: Plastic
- ☛ Ball
 - ☛ 00: Steel
 - ☛ 01: 1.4034

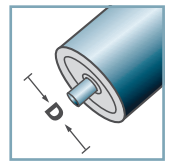


Carton [pcs.]

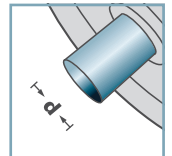
500



KTR-20.00
KTR-20.01



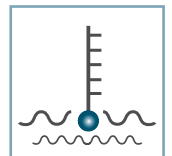
D [mm]
20



d [mm]
6; 8



C [daN]
5



T [°C]
0° - 80°



KTR-20.00/.01

Type	Normal .00	Stainless .01	Di +0,15	Da	Load Rating C [daN]
KTR-20x1,0	x	x	18,1	19,9	5
KTR-20x1,5	x	x	17,1	19,9	5

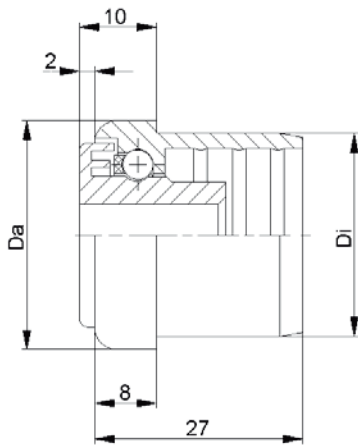
Other dimensions on request!

- ☛ Housing: Plastic
- ☛ Inner Race: Plastic
- ☛ Ball Cage: Plastic
- ☛ Ball
 - ☛ 00: Steel
 - ☛ 01: 1.4034

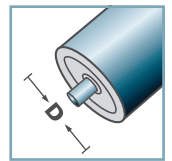


Carton [pcs.]

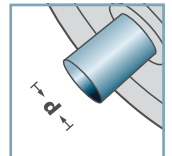
1000



KTR-30.00
KTR-30.01



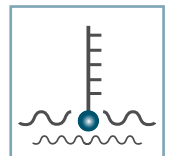
D [mm]
30



d [mm]
6; 8; 10



C [daN]
7



T [°C]
0° - 80°



KTR-30.00/.01					
Type	Normal .00	Stainless .01	Di +0,25	Da	Load Rating C [daN]
KTR-30x1,0	x	x	28,1	29,9	7
KTR-30x1,5	x	x	27,1	29,9	7
KTR-30x1,8	x	x	26,5	29,9	7
KTR-30x2,0	x	x	26,35	29,9	7

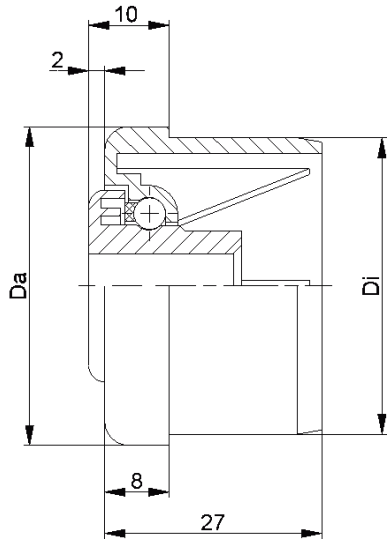
Other dimensions on request!

- ☛ Housing: Plastic
- ☛ Inner Race: Plastic
- ☛ Ball Cage: Plastic
- ☛ Ball
 - ☛ 00: Steel
 - ☛ 01: 1.4034

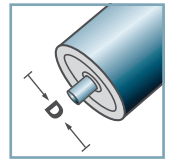


Carton [pcs.]

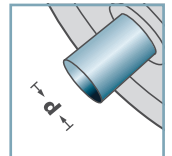
250



KTR-40.00
KTR-40.01



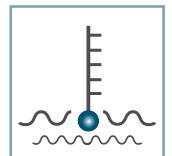
D [mm]
40



d [mm]
6; 8; 10



C [daN]
7



T [°C]
0° - 80°



KTR-40.00/.01

Type	Normal .00	Stainless .01	Di +0,25	Da	Load Rating C [daN]
KTR-40x1,5	x	x	37,1	39,9	7
KTR-40x2,3	x	x	35,5	39,9	7

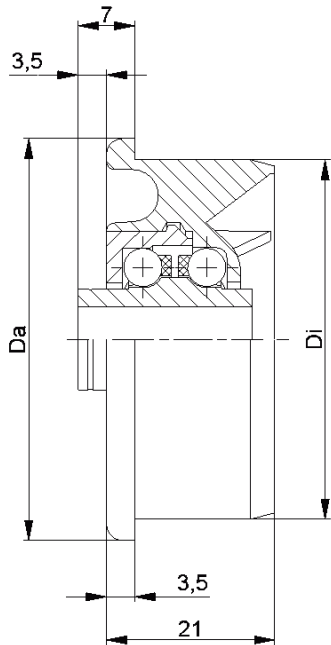
Other dimensions on request!

- ☛ Housing: Plastic
- ☛ Inner Race: Plastic
- ☛ Ball Cage: Plastic
- ☛ Ball
 - ☛ 00: Steel
 - ☛ 01: 1.4034



Carton [pcs.]

250



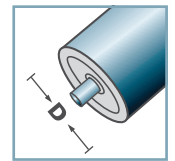
KTR-02/03					
Type	Normal .02	Stainless .03	Di +0,2	Da	Load Rating C [daN]
KTR-50x1,5	x	x	47,3	49,9	10
KTR-50x2,0	x	x	46,3	49,9	10
KTR-50x2,8	x	x	44,6	49,9	10

Other dimensions on request!

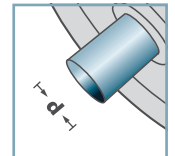
- ☛ Housing: Plastic
- ☛ Inner Race: Plastic
- ☛ Bearing Cap: Plastic
- ☛ Ball Cage: Plastic
- ☛ Ball
- ☛ 02: Steel
- ☛ 03: 1.4034



**KTR-02
KTR-03**



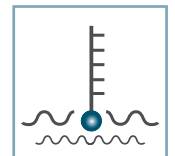
D [mm]
50



d [mm]
8; 10



C [daN]
10



T [°C]
0° - 80°



Carton [pcs.]

50x1,5: 250
50x2,0: 300
50x2,8: 250